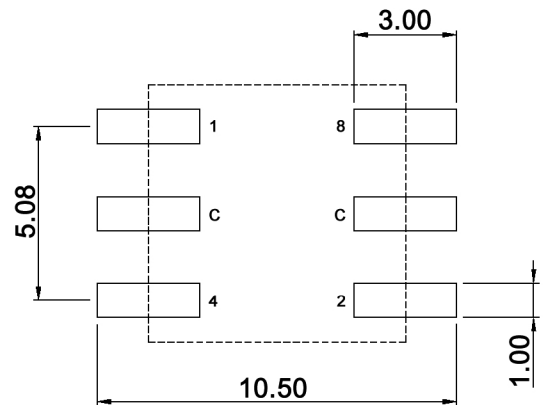


P.C.B. DIMENSION



BCD inverse

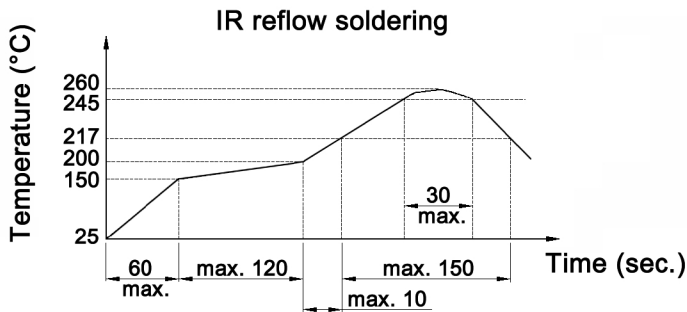
		Complement coded				
		C	1	2	4	8
10 P o s i t i o n s	0	●	●	●	●	●
	1	●		●	●	●
	2	●	●		●	●
	3	●			●	●
	4	●	●	●		●
	5	●		●		●
	6	●	●			●
	7	●				●
	8	●	●	●	●	
	9	●		●	●	

Compliance: RohS III (2015/863/EU)

Tolerances: DIN ISO-2768-1m 0.5-6: ±0.1 mm 6-30: ±0.2 mm	Date	Name	<h1>SMR 16110</h1>
	10/08	dr	
Torque	05/24	dr	
Packaging	02/15	dr	
Packaging	05/10	dr	
Soldering conditions	10/09	dr	<h2>30 16 21</h2>
Material	05/09	dr	
Modifications	Date	Name	<b>knitter-switch</b>
			Page 1/3

**Specifications:**

**Contact rating:** non-switching: 400mA, 42V  
switching: 100mA, 42V  
**Contact resistance:** 80mOhm max.  
**Insulation resistance:** 100MOhm min. at 250V DC for 1 minute +/-5sec.  
**Dielectric strength:** 250V DC (50Hz/60Hz) for 1 minute  
**Operating temperature:** -50°C to +125°C  
**Storage temperature:** -55°C to +135°C  
**Mechanical life:** 25 000 cycles  
**Operating force:** 2.5 Ncm max.  
**Material:** Cover / spring plate / guide plate: stainless steel  
Contact / terminal: phosphor bronze, min. 0.07µm gold plated  
over min. 0.3µm nickel  
Rotor / base: LCP, UL94V-0  
O-ring: silicone  
Actuator color: orange  
**Protection:** IP67  
**Soldering conditions:**



Type	Packaging unit
SMR 16110	70 pcs. per stick
SMR 16110 T	600 pcs. per reel

**Compliance: RohS III (2015/863/EU)**

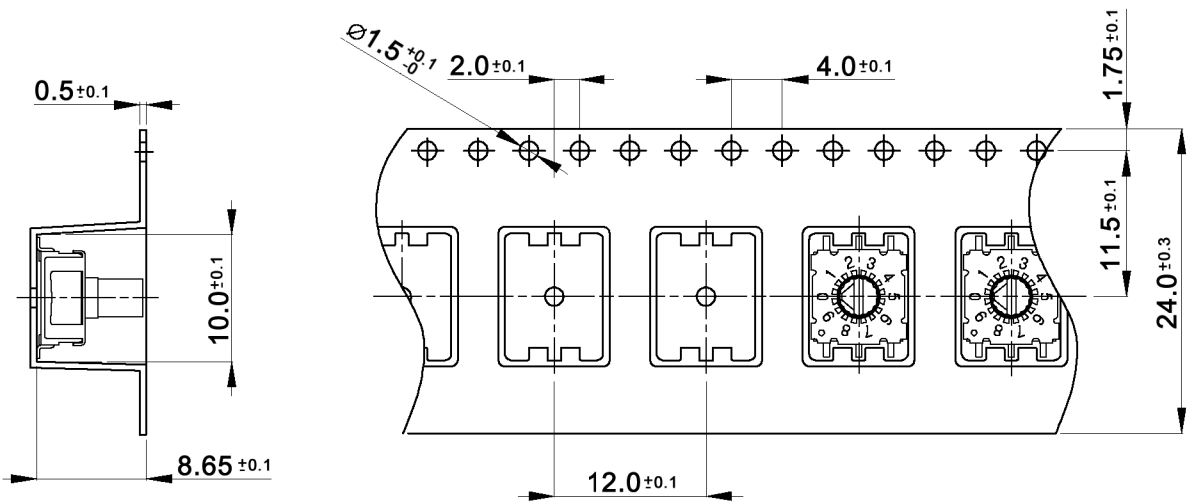
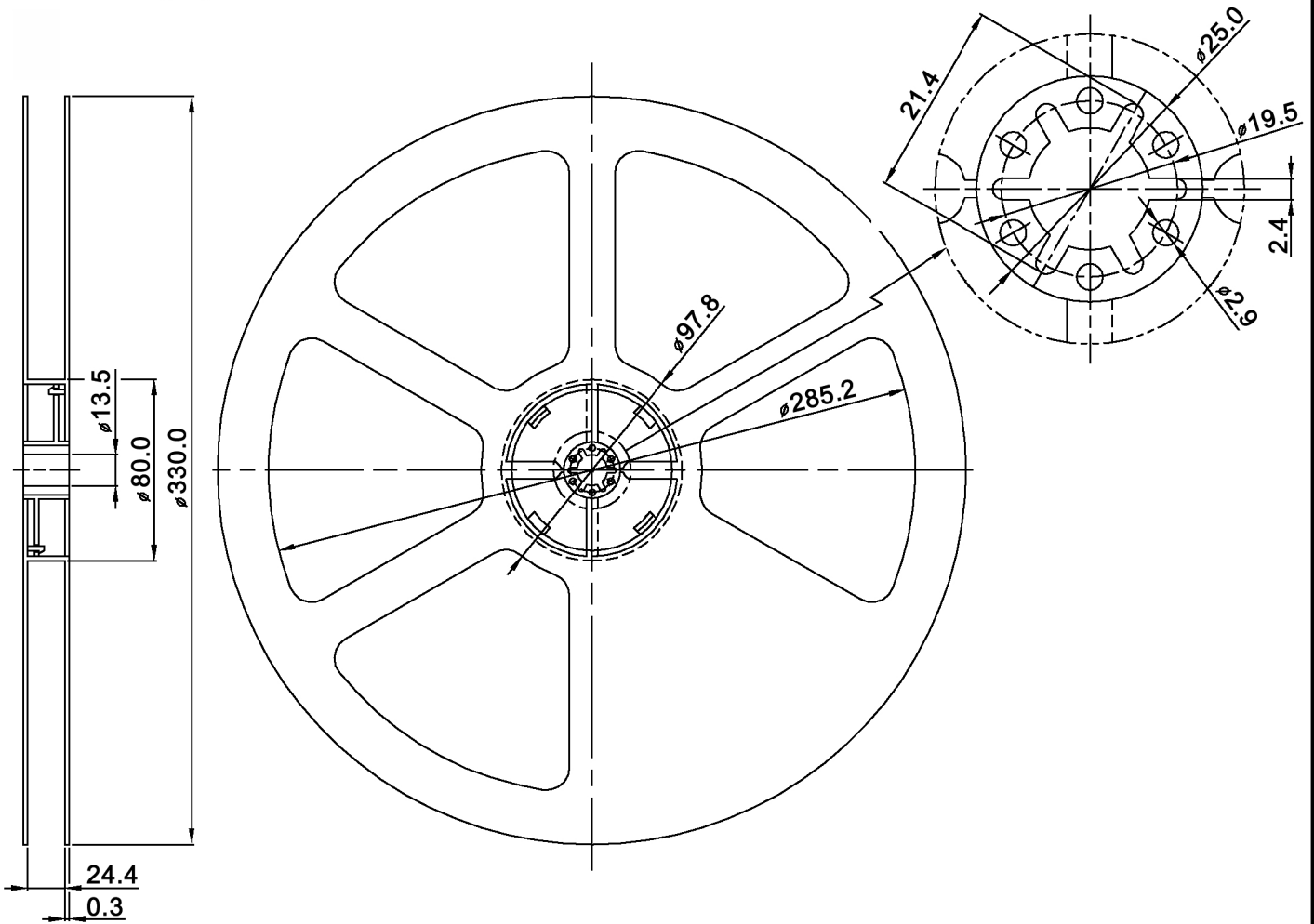
Tolerances: DIN ISO-2768-1m 0.5-6: ±0.1 mm 6-30: ±0.2 mm	Date	Name	<b>SMR 16110</b>
	10/08	dr	
Torque	05/24	dr	
Packaging	02/15	dr	
Packaging	05/10	dr	
Soldering conditions	10/09	dr	<b>30 16 21</b>
Material	05/09	dr	
Modifications	Date	Name	

**knitter-switch**

Page

2/3

Packaging:



Compliance: RohS III (2015/863/EU)

Tolerances:		Date	Name	<h1>SMR 16110</h1>
		10/08	dr	
Torque	05/24	dr		
Packaging	02/15	dr		
Packaging	05/10	dr		<h2>30 16 21</h2>
Soldering conditions	10/09	dr		
Material	05/09	dr		Page
Modifications	Date	Name		3/3

**knitter-switch**